



- ABB INC. • EAST RIVER ELECTRIC POWER
- SOUTHERN CALIFORNIA EDISON
- PARSONS • A & N ELECTRIC CO-OP
- KJ ELECTRIC • DOMINION POWER
- OTSEGO • PROGRESS ENERGY
- DUKE ENERGY • SOUTHERN PINE
- LINCOLN ELECTRIC SYSTEM • SCANA SERVICES
- MONTANA DAKOTA UTILITIES
- LAKE COUNTRY POWER • KANSAS CITY POWER AND LIGHT • PECO • KODIAK ELECTRIC ASSOCIATION
- MILLE LACS ENERGY • CENTRAL POWER
- EDISON • GLACIER ELECTRIC • XCEL ENERGY
- LIGHTHOUSE ELECTRIC CO-OP
- SIEMENS • EXXON MOBIL • DASHIELL CORP
- AQUILA INC • CINERGY CORP • EPCO INC
- EAGLE MOUNTAIN CITY • MOON LAKE ELECTRICAL • COKE ENERGY • MEAG POWER
- OTTER TAIL POWER COMPANY • BLACK HILLS POWER & LIGHT CO. • NUCOR STEEL
- GLOBAL POWER SUPPLY • SIEMENS • ENBRIDGE ENERGY PARTNERS • BRYAN TEXAS UTILITIES • PARSONS • LEA COUNTY ELECTRIC CO-OP • WABASH VALLEY POWER ASSOC. • S&C ELECTRIC COMPANY
- OVERTON POWER DISTRICT • CHOPTANK ELECTRIC CO-OP • CROW WING POWER
- CITY OF BOULDER, COLORADO • CONNECTICUT LIGHT & POWER CO.

Providing Reliable Power for

UTILITIES

ISO 9001-2008 Certified

Virginia Transformer has been supplying power and distribution transformers to the utility market for over a quarter of a century. Our clients include prominent municipalities, investor-owned-utilities, and rural electric cooperatives throughout North and Central America. We supply units rated up to 100 MVA, 230 kV class, with the capability to offer units rated up to 300 MVA, for a broad variety of applications – GSU’s, Substation Service, Distribution, Unit Auxiliary Transformers and Grounding Transformers.

VT has long-established relationships with many of the major engineering-consulting firms throughout the U.S that design and procure substation equipment for utilities, and is recognized as the fourth largest supplier of power transformers in the US. VT is known for its extensive in-house engineering staff, and respected as a custom designer and manufacturer of transformers. This fact is of critical importance to our clients with the responsibility to provide dependable, uninterrupted power to hundreds of thousands of customers.

Our engineering library now contains over 15,000 custom designs and test archives, providing us the foundation to insure that each and every transformer is built to the precise standards and specifications of each of our customers. VT is on the RUS-approved list for manufacturers of three-phase transformers up to 138 kv. This means any of our clients who take advantage of federal loans to help them purchase equipment can source all of their needs from Virginia Transformer – We provide a “one stop shop” for power transformers, saving precious time and reducing costs.

We provide custom transformers with Load Tap Changers, re-connectable voltages, tertiary windings, conservator tanks, nitrogen systems, three-phase regulators, zig-zag grounding configurations, alternative fluids and more. In addition to traditional electrical systems, VT is also heavily involved in supplying numerous unit substations for wind and solar power installations throughout North America.

Virginia Transformer – All the Power you Need, All the Time.

For over 40 years VTC has been making custom-built power transformers. Our history in specialty design laid the foundation for a solid engineering based company specializing in transformer and reactor solutions for industrial, commercial and utility applications.

The *NEW* Virginia Transformer now operates 3 manufacturing facilities in North America to service our global markets. Our success comes not only through our dedication to producing a top quality product, but equally through innovations in our processes driving us to the forefront of our markets.



VIRGINIA TRANSFORMER CORP

Corporate Office
220 Glade View Drive
Roanoke, VA 24012
540.345.9892

3770 Poleline Road
Pocatello, ID 83201
208.238.0720

Complejo Industrial Chihuahua,
Ave. Homero #3307
Chihuahua, Mexico
52.614.481.4900

www.vatransformer.com

“The Commitment Company”

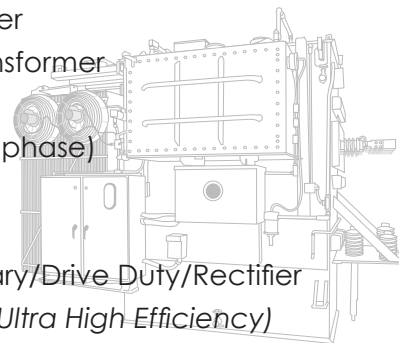
HISTORY



- 1971 – VTC established
- 1982 – Current president assumes management
- 1989 – Manufactures first LTC transformer
- 1995 – Opened 2nd manufacturing facility in Chihuahua, Mexico
- 1997 – First achieves ISO 9001 certification
- 2003 – Acquired power transformer facility, Pocatello, Idaho
- 2005 – Testing facilities upgraded enabling “front of wave” and “switching surge” tests
- 2009 – Addition of Vapor Phase Drying
- 2011 – VTC’s 40th Anniversary

ADDITIONAL SPECIAL APPLICATION TRANSFORMERS

- Three Phase Voltage Regulator
- Single Phase Transformer
- Zig Zag Grounding Transformer
- Scott Tee Connected (Converts 3 phase to 2 phase)
- Load Tap Changing
- Autotransformer
- Multi-Winding Secondary/Drive Duty/Rectifier
- “Green” Transformers (Ultra High Efficiency)
- High Altitude
- Large Specialty Pad Mount
- Solar Applications



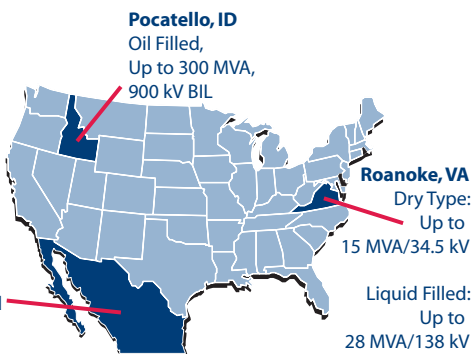
WHAT VTC DOES

Providing successful solutions means having the right selection of products. VTC offers a wide range of products, and the ability to customize each one to meet specific needs. VTC meets demanding system requirements such as space constraint, special voltage configurations and tough environmental conditions. Our ability to exceed these needs has gained VTC a solid reputation in supplying power transformers.



FACILITY LOCATIONS

Chihuahua, Chih., Mexico
Dry Type, Liquid
10 MVA/69 kV



SELECT UTILITY PROJECTS

- | | |
|--|--|
| ◆ CONNECTICUT POWER & LIGHT36 MVA/110 kV
Connecticut | ◆ CITY OF PASADENA.....12 MVA/69 kV
California |
| ◆ PUBLIC SERVICE COMPANY OF N.H.(2) 10 MVA/34.5 kV
New Hampshire.....(3) 5 MVA/34.5 kV | ◆ EAST RIVER ELECTRIC POWER CO-OP 12 MVA/69 kV
South Dakota.....(4) 7.5 MVA/69 kV
.....5 MVA/69 kV |
| ◆ MOUNTRAIL-WILLIAMS ELECTRIC(4) 36 MVA/115 kV
North Dakota(19) 15 MVA/115 kV | ◆ GOLDEN SPREAD 10 MVA/138 kV
Texas..... 10 MVA/115 kV
Texas..... (3) 7.5 MVA/69 kV |
| ◆ BEAUREGARD ELECTRIC CO-OP 25 MVA/69 kV
Louisiana | ◆ EDISON MATERIAL SUPPLY..... (15) from 500 kVA to 7.5 MVA
California |
| ◆ CITY OF CAMDEN.....20 MVA/115 kV
South Carolina | ◆ GEORGIA POWER.....(3) 5.6 MVA/45 kVA
Georgia, Alabama |
| ◆ GARKANE ENERGY COOPERATIVE..... 15 MVA/67 kV
Utah | ◆ KODIAK ELECTRIC ASSOCIATION 2 MVA/55 kV
Alaska |
| ◆ WHEATLAND ELECTRIC COOPERATIVE.....15 MVA/138 kV
Kansas 15 MVA/115 kV | ◆ ENTERGY(3) 10 MVA/23.9 kV
Louisiana |
| ◆ DUKE ENERGY 13.44 MVA/138 kV
Ohio | |