

## TRANSFORMER FEATURES

**Range** – 2 to 100 MVA, 15KV to 230KV voltage class

**Loading** – Designed to deliver rated current and MVA in all tap positions.

**Service** – Outdoor

**Basic Impulse Level (BIL)** – Per ANSI standard

**Impedance** – ANSI standard

**Coils** – Aluminum or copper conductor, circular construction, continuous or helical disc, or barrel wound

**Cooling Fluid** – Type II mineral oil, R-Temp or Silicone oil available up to 15 MVA

**Fluid Preservation System** – Sealed tank or conservator

**Cooling Radiators** – Plate type

**Gauges and Accessories** –

- Liquid temperature indicator
- Liquid level gauge
- Vacuum pressure gauge
- Drain valves
- Filter press connections (top and bottom)
- Automatic pressure relief device
- Control wiring in flexible conduit
- Other accessories available

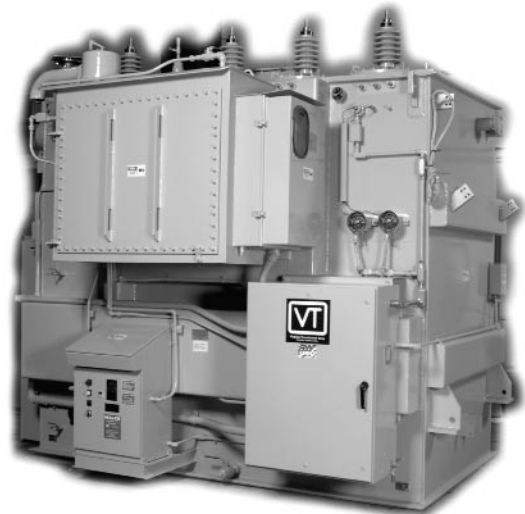
**Paint** – ANSI 61 enamel on sandblasted surface, other colors available

**Nameplate** – Stainless steel, engraved

**Other** – Welded top cover, 19-in manhole covers, provisions on base for skidding, transformer lifting lugs, stainless steel ground pads

## OPTIONAL FEATURES

- Reconnectable windings
- Regulating winding on either HV or LV
- Non-standard impedance
- Epoxy paint in your choice of color
- Demountable radiators with isolation valves
- Galvanized radiators
- Terminal throats and chambers
- Sloping roof
- Multi-stage fan cooling for increased MVA
- Other gauges and accessories
- Shock indicator
- Customer-specific controls and relays



## LTC FEATURES

**Tap Changer Types** –

- Reactive vacuum
- Resistive

**LTC Ranges** – Plus or minus 10 percent in thirty-two 5/8 percent steps

**LTC Controls** – Automatic or manual local control

**Other** – Position indicator, operation counter, static voltage regulating relay, current transformer for line drop compensation, isolated compartment oil, manual tap operation from ground level, control panel with 3-point latching, automatic door light, power receptacle, anti-condensation heater in control box

## ADDITIONAL FEATURES AVAILABLE

- Other tap changer types
- Rigid galvanized conduit wiring
- Remote controls with position indicator
- Provisions for parallel operation
- Potential transformer for voltage signal
- Tap range other than plus or minus 10 percent or steps other than 5/8 percent
- SCADA interfaces for supervisory control
- Loss evaluated designs
- HV Load Tap Changing

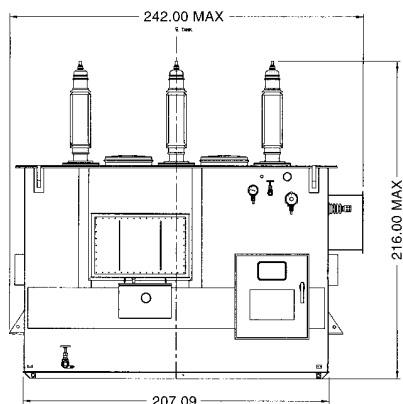
## TYPICAL DIMENSIONS, WEIGHTS AND DATA FOR LTC TRANSFORMERS FROM UP TO 15 MVA 69 KV

For larger MVA and higher voltage transformers contact the VTC sales office.

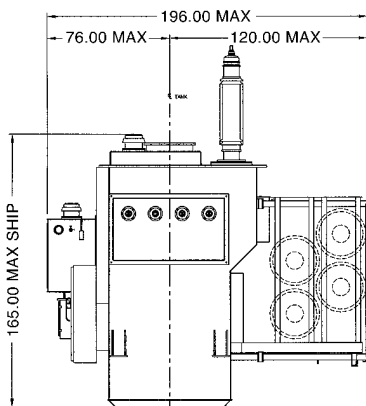
KVA	Tank Height (inches)	Tank Length (inches)	Total Depth (inches)	Total Weight (pounds)	Oil Quantity (gallons)	No Load Losses (watts)	Total Losses (watts)
2,500	112	80	130	30,000	1,200	5,200	24,700
3,000	118	94	130	36,000	1,500	5,800	28,500
3,750	124	106	136	45,000	2,000	6,500	35,000
5,000	130	114	136	55,000	2,400	8,500	45,000
7,500	134	120	146	71,000	2,900	11,000	62,000
10,000	144	130	152	87,000	3,400	13,500	75,500
15,000	144	144	180	114,000	4,200	17,500	101,000

Data is for estimating purposes only and should never be used for construction. Contact factory for actual dimensions, weights and oil volume.

## SAMPLE OUTLINE FOR 25-50 MVA WITH LOAD TAP CHANGER



FRONT VIEW



RIGHT SIDE

25 MVA Base with up to 46.67 MVA capacity. HV is 138,000 volts. Designed for munipcle power facility in Illinois. Transformer has Reinhausen RMV-II load tap changer with Beckwith controls.

### MODEL/SN 9895A DESIGN DATA

KVA: 25000/33000/41670      28000/37330/46670

PH: 3                      60 Hz                      55/65°C Rise

No Load Tap: ± 2 x 2.5%      Class: OA/FA/FA

Load Tap: ± 16 x 0.625%

Impedance: 9.5% Nominal      Weight: 200,452 LBS

Windings: Copper

Winding	Volts	BIL	AMPS. @ 46.67 MVA
HV	138000 Delta	550 kVP	195 NOM
LV	12470 WYE	110 kVP	2161 NOM

## VIRGINIA TRANSFORMER CORP

220 Glade View Drive Roanoke, VA 24012 USA (540)345-9892 fax (540)342-7694

www.vatransformer.com